

WARNING - HYDRAULIC AUGER ATTACHMENT

Any piece of equipment can be dangerous if not operated properly. **YOU** are responsible for the safe operation of this equipment. The operator must carefully read and follow any warnings, safety signs and instructions provided with or located on the equipment. Do not remove, defeat, deface or render inoperable any of the safety devices or warnings on this equipment. If any safety devices or warnings have been removed, defeated, defaced or rendered inoperable, **DO NOT USE THIS EQUIPMENT!!!**

⚠ WARNING: This product can expose you to chemicals including naphthalene and benzene from petroleum products which are known to the State of California to cause cancer and birth defects or other reproductive harm. For more information go to www.P65warnings.ca.gov

Danger: This tool has and creates multiple pinch points. Keep hands, feet and other body parts clear at all times. **NEVER TOUCH A LEAKING HYDRAULIC HOSE IT CAN PIERCE YOUR SKIN!** Escaping hydraulic oil under pressure can have sufficient force to penetrate your skin, causing serious personal injury. If injured by escaping fluid, obtain medical treatment immediately!

Warning metal conducts electricity. Do Not use this Auger where it may come into contact with underground power lines or other electric circuits. Failure to comply to this warning will result in serious personal injury or death.

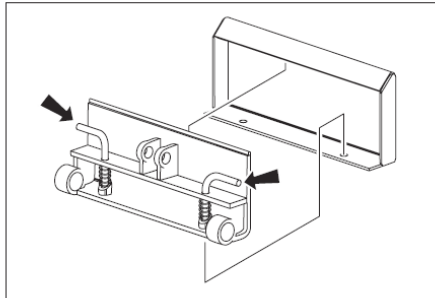
Connect Attachment

IMPORTANT: Use only Ditch Witch-approved attachments. Attachments can change the stability and operating characteristics of the unit.

Attachment

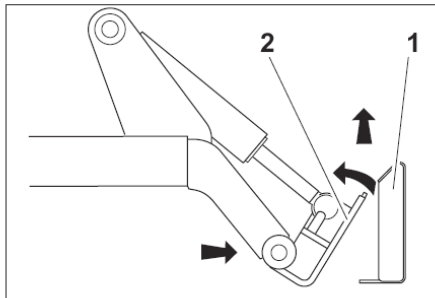
IMPORTANT: Before connecting attachment to unit, ensure that mount and receiver plates are free of dirt and debris.

1. Position attachment on level surface with enough space behind it to accommodate unit.
2. Ensure that lock pin handles (shown) on mount plate are turned away from center of attachment.
3. Start engine.



105om022c.eps

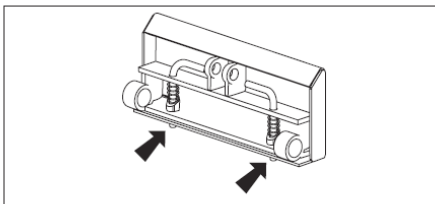
4. Tilt mount plate (2) forward.
5. Position mount plate in the upper lip of the receiver plate (1) on attachment.
6. Raise lift arms while tilting back mount plate.



105om026c.eps

IMPORTANT: Attachment should be raised enough to clear the ground. Mount plate should be tilted back fully.

7. Ensure that all controls are in neutral position.
8. Apply parking brake.
9. Turn ignition switch off and remove key.
10. Rotate lock pin handles toward center of mount plate to secure attachment to lift plate.



105om027c.eps

Smart digging means calling 811 before each job. Whether you are a homeowner or a professional excavator, one call to 811 gets your underground utility lines marked for FREE

Always wear eye protection whenever operating this equipment! **HANDS, ARMS, FEET, HAIR AND LEGS SHOULD ALWAYS BE CLEAR OF THE ROTATING AUGER BIT.**

IMPORTANT SAFETY RULES TO FOLLOW

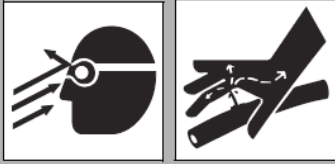
1. All bystanders should be kept a minimum of 10 feet away from working area.
2. Always wear an OSHA approved hardhat and safety eye protection when operating this equipment. Do not wear loose fitting clothing, jewelry or anything that can catch moving parts.
3. An operator must not use drugs or alcohol while operating this earth auger.
4. Always locate underground electrical wires, telephone cables, gas, water, and sewer lines before digging.
5. Whenever changing or installing this or other attachments, make sure all connections are securely fastened.
6. Travel with the earth auger as low as possible in a safe transport position to prevent uncontrolled movement. Drive slowly over rough ground and on slopes.
7. Before exiting tractor, lower earth auger to ground, turn off tractor engine and lock tractor brake.
8. Never check pressurized system for leaks with your bare hands.

Oil escaping from pinhole leaks under pressure can penetrate skin and could cause serious infection.

9. Before disconnecting hydraulic lines or fittings be sure to relieve all pressure by cycling all hydraulic controls after shutdown. Remember hydraulic systems are under pressure whenever the engine is running and may hold pressure after shutdown.

Hydraulic Hoses

If attachment requires hydraulic power for operation, connect hydraulic hoses.



⚠ WARNING

Fluid or air pressure could pierce skin and cause injury or death. Stay away.

NOTICE:

- Escaping pressurized fluid can cause injury or pierce skin and poison.
- Before disconnecting a hydraulic line, turn engine off and operate all controls to relieve pressure. Lower, block, or support any raised component with a hoist. Cover connection with heavy cloth and loosen connector nut slightly to relieve residual pressure. Catch all fluid in a container.
- Before using system, check that all connections are tight and all lines are undamaged.
- Fluid leaks can be hard to detect. Use a piece of cardboard or wood, rather than hands, to search for leaks.
- Wear protective clothing, including gloves and eye protection.
- If you are injured, seek immediate medical attention from a doctor familiar with this type of injury.

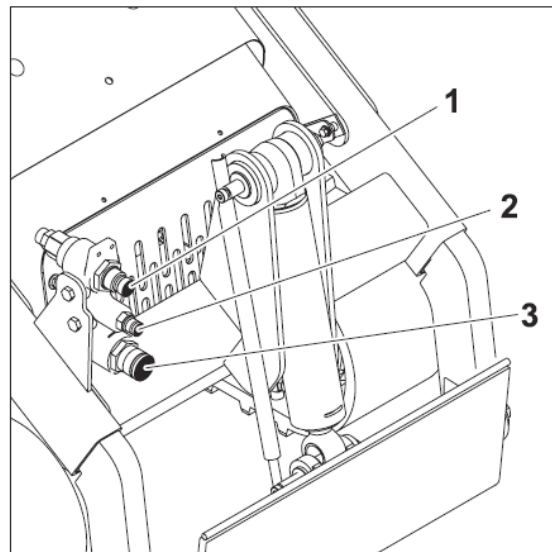


⚠ CAUTION

Hot parts may cause burns. Do not touch until cool.

NOTICE: Hydraulic couplers, hoses and fluid may be hot. Wear gloves when connecting and disconnecting hydraulic hoses and wait until unit has cooled before touching hydraulic components.

1. Cycle attachment drive control to relieve residual pressure at hydraulic couplers.
2. Ensure that all controls are in neutral position.
3. Remove dirt and debris from hydraulic couplers.
4. Connect male coupler on attachment to female coupler (3) on unit.
5. Connect female coupler on attachment to male coupler (1) on unit.
6. Connect female coupler on case drain hose to case drain coupler (2) on unit, if attachment requires it.
7. Ensure that connections are secure by pulling on hoses.



If the person receiving this handout will not be the user of the equipment, forward these instructions to the operator. If there is any doubt as to the operation or safety of the equipment, **DO NOT USE!!! CALL A TOOL SHED IMMEDIATELY!!! FAILURE TO FOLLOW THESE INSTRUCTIONS COULD RESULT IN INJURY OR DEATH**