

WARNING HEAVY DUTY ELECTRIC DOLLY

Any piece of equipment can be dangerous if not operated properly. **YOU** are responsible for the safe operation of this equipment. The operator must carefully read and follow any warnings, safety signs and instructions provided with or located on the equipment. Do not remove, defeat, deface or render inoperable any of the safety devices or warnings on this equipment. **IF** any safety devices or warnings have been removed, defeated, defaced or rendered inoperable, **DO NOT USE THIS EQUIPMENT!!!**

IMPORTANT SAFETY RULES TO FOLLOW

WARNING!

The manufacturer states that only competent operators trained to manufacturer's standards, are to use this equipment. After completely reading these instructions, if you DO NOT feel you can operate this dolly safely and competently. DO NOT USE IT.

**Training courses are available through L P INTERNATIONAL INC.,
please call 1-800-697-6283**

GENERAL SAFETY RULES

1. **Read** all safety & operating instructions before anyone operates your *PowerMate*® unit. Use the *PowerMate*® unit only as described in this manual.
2. **Retain** all safety & operating instructions for future reference. Ensure they are readily available.
3. **Heed** all warnings in the safety & operating instructions.
4. **Follow** all installation, operation, service & safety instructions.
5. **WARNING:** Only trained personnel shall operate *PowerMate*® equipment. Failure to comply may result in possible severe injury to the operator and/or others & damage and/or loss of property. **Never** allow unqualified or un-authorized personnel to operate the equipment.
6. **Wear** safety shoes. Keep hair, loose clothing, fingers & all body parts away from pinch points & moving/rotating parts. Use equipment handles & controls for maneuvering & operation.
7. **CAUTION:** Barriers, warning signs, designated walkways or other safeguards must be provided where pedestrians are exposed to the risk of collision.
8. **Inspect** the *PowerMate*® unit prior to using to ensure the operation can be safely completed. Ensure all components of the unit are secure and functioning.
9. **WARNING: Do not use** *PowerMate*® equipment if it is damaged. Check for corrosion. Failure to do so may result in catastrophic failure, leading to injury, damage or loss of property & loss of life.
10. **Do not use** *PowerMate*® equipment in an enclosed space where oxygen, flammable, explosive or toxic vapors are present and/or are given off by oil base paint, paint thinner, some moth-proofing substances, or in an area where flammable dust is present.
11. **Do not use** accessories or attachments not recommended by the manufacturer as this may increase risks of damage and cause hazards.
12. **Use** only *PowerMate*® accessories best suited for the application ie: Strap bar Attachment for box type loads, Cylinder Attachment for cylindrical loads, etc.

13. **Check** the work site. Inspect the area to be traversed with the *PowerMate*® unit. Avoid debris, rough surfaces, pot holes, bumps, steep grades, etc. Avoid spills of any kind, slippery surfaces, soft ground and standing water. Observe any condition that may cause loss of control of the *PowerMate*® unit leading to injury and/or property damage.
14. **Plan** your work. Make a plan of action from picking up the load to the point where the load is delivered. Check for doorway size, pathway surfaces, ceiling heights, tight corners, stair step size and integrity, turn radius considerations, etc. Always use the recommended number of operators for a load.
15. **Ensure** planned route for *PowerMate*® operation is clear of obstacles & un-involved personnel. When visibility is obstructed, use spotter person for direction instruction and /or clear path of obstacles and un-involved personnel.
16. **Do not place** the *PowerMate*® unit on an unstable surface. Supporting surface must be capable of carrying the loaded *PowerMate*® unit with operator(s). Check the condition of stairs & the edges of loading docks & vehicle beds. When moving on or off vehicle, be prepared for movement of the vehicle suspension system.
17. **Ensure** that the *PowerMate*® unit is charged & ready for operation.
18. **Never** lift a load that is over the rated capacity of the *PowerMate*® unit. Estimate the weight & center of gravity position & refer to the Load Capacity Chart to ensure the load is within the loading envelope. The capacity may be limited by the weight & strength of the operator(s). Do not attempt to increase the load capacity of the equipment by the use of chains, rope or other means of securing the equipment to the bed or bodies of vehicles, handrails, wall brackets, etc. Do not operate with a load that is beyond the operator's physical ability.
19. **Ensure** the load is not damaged, properly packaged, no loose items such as tools used in packaging the load and sharp items (such as nails) projecting from the load.
20. **Protect** the *PowerMate*® strapping material from sharp edges to prevent strap failure. Always inspect straps prior to use. Ensure the strapping latching mechanism is fully engaged.
21. **Verify** load secureness at the beginning of use, & prior to climbing or descending with the load. Check for any loose items or load shifting.
22. **Never** unstrap a load with the *PowerMate*® unit in an open (extended) condition. The unit will fall over backwards if the wheels are not in contact with a stable surface when the unit is unloaded.
23. **Do not** lift people & never ride on the *PowerMate*® unit.
24. **Do not** load the *PowerMate*® unit with a load center of gravity that is outside the side to side limits of the unit wheels. Avoid quick reversal & do not travel at excessive speed (walk, don't run).
25. **When** transiting a surface, avoid high speed turns that may cause the load & *PowerMate*® unit to tip. Remember that the load must be secure to the *PowerMate*® unit to ensure the load cannot shift.
26. **When** transiting the unit without a load, ensure the load strapping devices are secure, not dangling, to prevent a trip hazard & prevent entanglement in the *PowerMate*® moving parts.
27. **Always** keep your attention in the direction you are moving, monitoring clearances above, below & to each side of the *PowerMate*® & load. When visibility is obstructed, use spotter person for directional instruction and/or clear path of obstacles & un-involved personnel.
28. **Stay alert.** Should something break, loosen, or malfunction on your machine, stop work & seek qualified assistance to correct the condition

29. **When** going down a ramp or incline, always walk ahead of the machine & use the open/close controls to engage the rubber guard (foot) with the ground to act as a brake. Do not allow the loaded *PowerMate*® to attain an un-controllable speed.
30. **When** moving a *PowerMate*® unit down a stair without a load, always push the wheels off the step before lowering the wheels to the next step.
31. **Do not** compress the top urethane bumper when the machine is under load.
32. **Operators** shall determine the balance of unfamiliar loads prior to moving the load. Work performed in a balanced condition is done easier & safer. New operators should gain practice experience with lighter loads of approximately 250 lbs. with a medium center of gravity before progressing to heavier loads. Do not raise or lower the load too far past the balance point. Jog the equipment control switches so as not to transfer the load weight too quickly. **Training is mandatory!**
33. **Store** *PowerMate*® unit in a fully retracted position. If the unit is in mobile operation, ensure the unit is secure to prevent movement. Store the unit in a clean/dry environment to prevent damage & corrosion. The storage area should have adequate ventilation for the battery charging procedure.
34. **WARNING:** There is a risk of explosion if the battery is replaced by an incorrect type. Only use batteries that are provided by L P INTERNATIONAL INC. for your *PowerMate*®. Use only battery chargers provided with your *PowerMate*®. Dispose of used batteries according to your local environmental guidelines. **Do not** puncture or incinerate batteries.
35. **Do not** perform maintenance on any *PowerMate*® unit unless authorized to do so. The unit is capable of high electrical currents & the motor can generate excessive heat. If the motor or electrical compartment is accessed for any reason, the fuse must be removed prior to entry.
36. **WARNING:** If the *PowerMate*® unit or any of its components become unserviceable for any reason, remove the fuse from the unit. Indicate on the unit in a prominent location, by way of a tag, the unserviceability and words stating “**DO NOT USE**”.
37. **DANGER:** Never insert any metallic device, such as a tool, in the *PowerMate*® unit without first removing the fuse. Inadvertent contact with electrical contacts may cause the unit to activate resulting in severe injury.
38. **Never** remove or override any mechanical or electrical safety device. Replace the fuse with a fuse of equal type & rating only. If the fuse continues to blow, seek service.
39. **Do not** touch hot components. Allow the equipment to cool down before servicing.

PERSONNEL

1. **Operator** must be able to communicate clearly.
2. **Operator** must be familiar with normal operating practices & procedures. Whenever there is any doubt as to safety, the operator should stop & not proceed until safe conditions are restored.
3. **Operator** must have received approved training on the *PowerMate*® unit to be used. Training shall include theory, practice and testing.
4. **Operator** must have good hearing & vision with or without correction & have good depth perception.
5. **Operator** must not be afflicted with any known heart or any other health conditions(s) that might cause sudden loss of ability to react.
6. **Operator** is responsible for maintaining proficiency on *PowerMate*® unit. Familiarity with safety procedures, instructions, maintenance practices, controls, operation & loading are required at all times.

OPERATOR DON'TS

1. Do not eat or drink during the operation of *PowerMate*® equipment.
2. Do not sleep. Stay alert when operating *PowerMate*® equipment.
3. Never divert attention when the *PowerMate*® equipment is loaded.
4. No horseplay or practical jokes when operating the equipment.
5. Do not use alcohol or other intoxicants when operating the equipment.
6. Do not operate equipment when taking medication that will affect physical performance/judgment.
7. Do not abuse the equipment. Use *PowerMate*® equipment only for its intended use.

CHARGING THE POWERMATE

IMPORTANT: Electrical equipment may be hazardous if misused. Operation of this product, and the device on which it is used, must always be done with complete knowledge of the product instructions & safety information. Failure to do so may cause serious injury.

DANGER: Lead-acid batteries can generate explosive gases. Only charge lead-acid batteries in well-ventilated areas.

DANGER: RISK OF ELECTRICAL SHOCK, BURNS, OR FIRE - The battery charger must be used as supplied. Never replace, splice, or repair cables or connectors supplied with the charger.

DANGER: Replace fuse only with a fuse of the same rating.

CAUTION: RISK OF SHOCK - Do not use charger unit if the input or output cord is cut or frayed or damaged in any way. Do not use the charger if case is damaged in any way.

CAUTION: RISK FROM HIGH CURRENTS. RISK OF BURNS - Always be sure that the charger is disconnected from the power source & battery being charged before handling.

CAUTION: Protect the charger from damp & wet weather such as rain, snow, etc. Keep charger away from sources of liquid such as drinks, washbasins, bathtubs, shower stalls, solvents, flowing water, etc. Do not allow the charger, or any of its cords & connectors, to lie in standing water such as a puddle.

CAUTION: Charge only properly maintained and rechargeable lead-acid batteries of the same voltage rating that is printed on the charger. Other battery types or voltages, damaged batteries, or improperly maintained batteries may burst, emit dangerous gases, or cause personal injury or damage.

WARNING: The charger units supplied by L P INTERNATIONAL INC. are internally protected against battery polarity reversal and overload. This limits potential damage to the charger. However, the charger does not protect against shorting or overload of external wiring or of the battery being charged. Integrity of the *PowerMate*® unit wiring should be monitored during routine inspections.

WARNING: Only use the supplied charger on *PowerMate*® products.

CAUTION: Position the charger & charger cords so that it is not tripped over, pulled, or placed in contact with heated surfaces. Route charger cords so that they are not likely to be walked on or pinched by items being placed upon or against them.

CAUTION: Do not operate the *PowerMate*® unit while connected to the charger.

ADDITIONAL CHARGER SAFETY INSTRUCTIONS

110V Battery Charger

1. Before using battery charger, read all instructions & cautionary markings on the battery & charger.
2. **CAUTION:** To reduce risk of injury, charge only 12-volt lead-acid type rechargeable batteries. Other types of batteries may burst causing personal injury or damage.
3. Your AC cord came equipped with three-wire grounding plug (a plug that has a third grounding pin). This plug will only fit a grounded AC outlet. If you are unable to insert the plug into an outlet because the outlet is not grounded, contact a licensed electrician to replace it with a properly grounded outlet.
4. If an extension cord is necessary, use a cord with a current rating at least equal to that of the charger. Cords rated for less amperage than the charger may overheat.
5. Ensure the pins of the extension cord plug are the same number, size and shape as those on the charger. Ensure the extension cord is wired properly and in good electrical condition.
6. **Do not** overload wall outlets or extension cords as this can result in a risk of fire or electrical shock.
7. **Do not** operate charger if it has received a sharp blow, been dropped, or otherwise damaged.
8. **Do not** disassemble or open the charger. There are no serviceable parts.
9. Disconnect the power plug by pulling the plug, not the cord.
10. **Do not** handle the plug with wet hands.
11. Unplug the charger when not in use.

BATTERY SAFETY

Whenever handling or working with a lead-acid battery, consult your battery owner's manual for instructions & safety precautions. Lead-acid batteries contain hydrogen-oxygen gases that can be explosive & sulfuric acid that can cause severe burns.

To help avoid danger & injury, follow these precautions handling/working with lead-acid batteries:

1. **Wear** ANSI approved safety glasses or goggles & a face shield.
2. **Wear** proper clothing to protect your face, hands & body. Wear a rubber apron.
3. Make sure work area is well-ventilated.
4. **Never** lean over a battery when testing or charging.
5. Cigarettes, flames or sparks could cause a battery to explode. Keep all ignition sources away from the battery.
6. **Always** shield eyes & face from battery.
7. **Do not** charge or use booster cables or adjust battery connections without proper instructions & training.
8. **Never** remove vent caps on a sealed battery.
9. In the event of an accident, flush with water & call a physician immediately.
10. If venting gas is significantly inhaled, seek immediate medical attention.
11. **Keep** batteries out of reach of children.
12. **Never** store batteries with explosives, flammable materials, chemicals or food.
13. **Protect** batteries from crushing, punctures & shorting.
14. **Do not** strike the sides of a battery with any spark producing item.
15. **Do not** accumulate used batteries. Dispose of used batteries in accordance with local environmental laws.

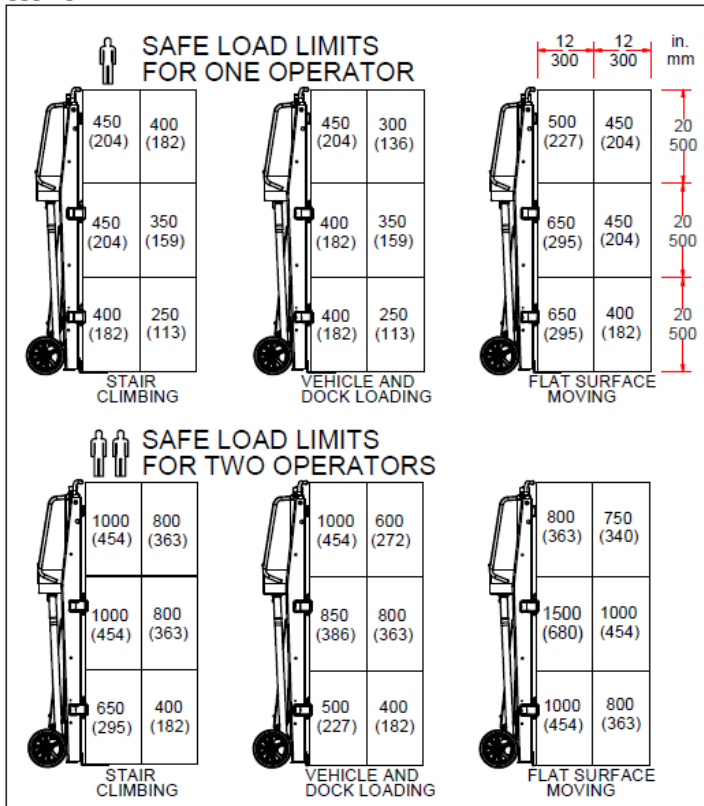
- 16. **Never** touch both battery terminals with bare hands at the same time.
- 17. **Remove** rings, watches & dangling jewelry when working with batteries. The metal in jewelry can cause a shock & burns if contacted with the battery terminals.
- 18. **Only** use insulated/non-conducting tools when making connections on a battery. Never lay tools or other parts on top of a battery.
- 19. If there is spilled sulfuric acid present, neutralize with baking soda. Because the batteries used in L P INTERNATIONAL INC. products are of the sealed type, the battery should be replaced if there is evidence of leakage or spillage.

⚠ WARNING: This product can expose you to sulfuric acid from batteries which are known to the State of California to cause cancer and birth defects or other reproductive harm. For more information go to www.P65warnings.ca.gov

If the person receiving this handout will not be the user of the equipment, forward these instructions to the operator. **IF** there is any doubt as to the operation or safety of the equipment, **DO NOT USE!!! CALL A TOOL SHED IMMEDIATELY!!! FAILURE TO FOLLOW THESE INSTRUCTIONS COULD RESULT IN INJURY OR DEATH**

M-1 POWERMATE® LOADING INSTRUCTIONS

M-1



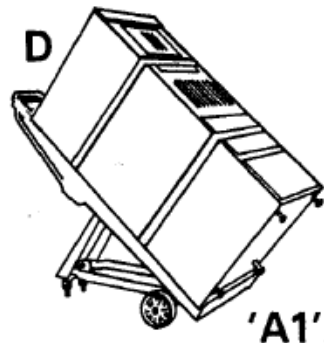
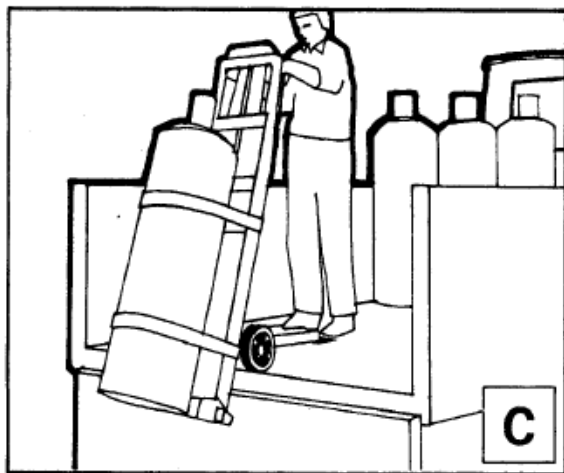
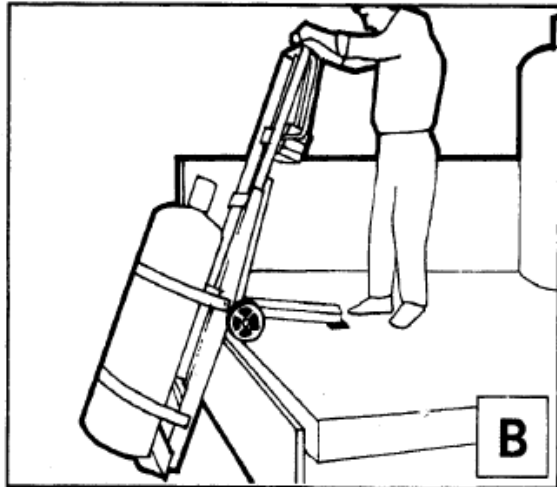
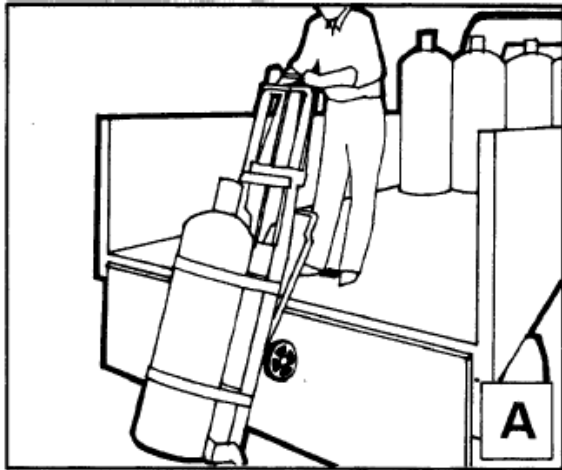
After establishing the weight of your load and its center of gravity, refer to the load drawings to determine:

1. That the capacity of the *PowerMate* is adequate for the intended application.
2. Whether one or two operators are required.

SAFE LOADING RECOMMENDATIONS
IN LBS (KG).

NOTE: LOAD RATINGS ARE CALCULATED FOR TRAINED PROFICIENT, EXPERIENCED OPERATORS AND SHOULD BE USED AS A GENERAL GUIDE ONLY.

POWERMATE® OPERATION



Loading on a Vehicle

1. Position the *PowerMate*® as shown in "A" close to the tailgate or rear of the vehicle allowing room for the wheels of the *PowerMate*® to clear the vehicle when raising.
2. Push the "LOAD DOWN" button to raise the wheels until they rest on the vehicle bed. Lower the Hook Bar and engage the Hook Attachment (when installed) on the vehicle bed as shown in "B" and Detail "A1".
3. Push the "LOAD UP" button and raise the toeplate/load to the vehicle floor as shown in "C".
4. Disengage the Hook Attachment by pulling the *PowerMate*® away from the rear of the vehicle. The *PowerMate*® can now be positioned anywhere on the vehicle bed.

Unloading from a Vehicle

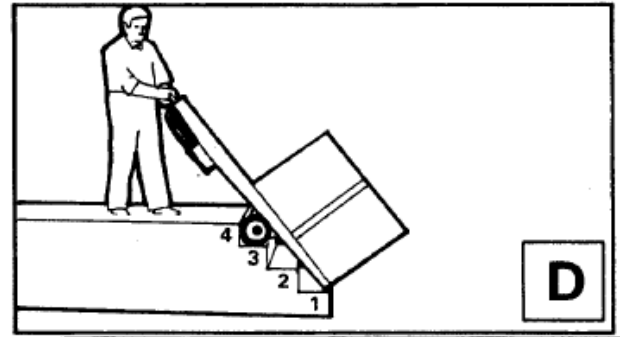
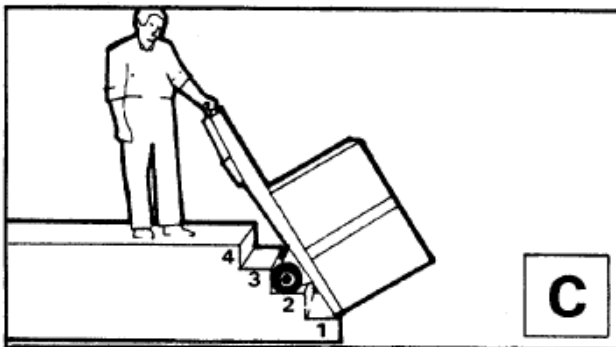
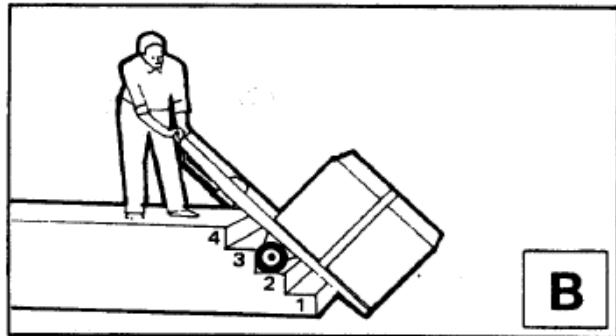
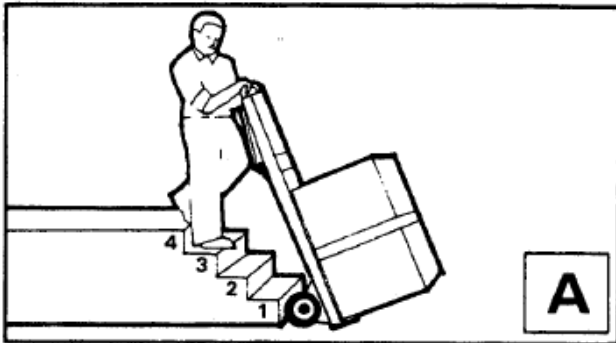
1. Lower the Hook Bar and connect to the Hook Attachment in the vehicle bed by positioning the *PowerMate*® as shown in "C" and Detail "A1".
2. Push the "LOAD DOWN" button to lower the *PowerMate*® toeplate and load to the ground as shown in "B".
3. Disengage the Hook Bar from the Hook Attachment and stand the *PowerMate*® upright.
4. Push the "LOAD UP" button to lower the wheels to the ground, whereupon the *PowerMate*® can be manoeuvred as required.
5. If desired, the retractable dolly can be unclipped and used in connection with the Hook Bar as shown in "D" to take the load and assist handling for horizontal movement.

STAIR CLIMBING

Upstairs

- 1 Manoeuvre the **PowerMate**® backwards to the first step as shown in "A", just near enough to allow the wheels to clear the edge of the treads when raised as shown in "B".
- 2 Pivot the **PowerMate**® on the heel of the toe plate as shown in "B". Push the "LOAD DOWN" button to raise the wheels to rest on step 2.
- 3 Raise the toe plate off the ground, pivoting on the wheels of the **PowerMate**®. Push the "LOAD UP" button, raising the **PowerMate**® frame and load and resting the frame on step 1 as shown in "C".
- 4 Pivot the **PowerMate**® on the load frame so that the wheels are clear of the steps and push the "LOAD DOWN" button to raise the wheels to step 3 as shown in "D".

Repeat procedures 3 and 4 until the top of the stairs are reached.



Down Stairs

1. Position the **PowerMate**® at the top of the stairs with the load frame overhanging and clear of the steps. Push the "LOAD DOWN" button to lower the load and load frame, and rest it on step 2 as shown in "E".
2. Pivot the **PowerMate**® on the heel of the load frame and push the "LOAD UP" button which will lower the wheels to step 3 as shown in "F".
3. Pivot the **PowerMate**® on its wheels to lift the load frame clear of the steps and push the "LOAD DOWN" button to lower the load frame to rest on the toe plate on step 1.

Repeat procedures 2 and 3 until reaching the bottom of the stairs.

